

Danzi DuElec™

Electric Shower



Product Codes

| | |
|-------------------------------------|----------|
| Danzi DuElec™ - 9.5kW - Matte Black | GEDADU93 |
|-------------------------------------|----------|

Installation

- Inlet connection: 15mm diameter
- Outlet connection: 1/2" BSP male thread

Commissioning

- Simple 2 minute commissioning process

End User

- Choice of showering experience - divert water between a 5 spray pattern shower head and luxurious fixed rainfall shower head, or even use both together
- Easy to use - power buttons
- Start/stop push button
- Separate temperature dial control
- Phased shutdown - Flushes out preheated water after use to help reduce limescale build up
- 5 spray shower head with removable spray plate and 1.5m anti-twist hose
- 0.75m anti-twist diverter connector hose
- Suitable for cold mains only
- 2 years parts and labour guarantee
- Efficient A energy rating



Danzi DuElec™

Electric Shower

Shower

| | |
|-------------------------------|---|
| Temperature stability | Stabilised |
| Power ratings | 9.5kW (at 240V) |
| Finish | Matte Black |
| Controls | Start/stop button, power buttons & temperature control dial |
| Visual indicators | Power-on and selected Power mode indicators |
| Inlet Connection | 15mm male compression |
| Water Entry Points | Right hand side - bottom back, bottom, bottom side |
| Cable Entry Points | Right hand side - top, middle back |
| Outlet Connection | ½" BSP male thread |
| Plumbing System Compatibility | Cold mains only |
| Minimum Running Pressure/Flow | 1 Bar @ 8 l/min |
| Maximum Static Pressure | 10 Bar |
| Surface Mounted Only | |
| Approvals, Complies with | BEAB, CE, BSI Kitemark, IPX4 |
| Guarantee | 2 years |

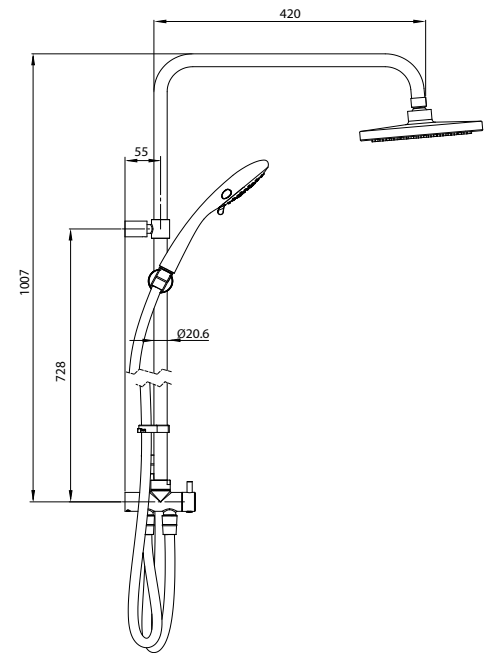
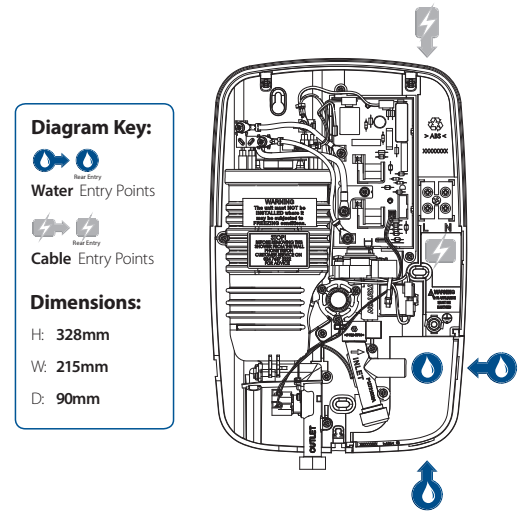
*Recommended minimum running pressure/flow for full performance 1 bar @8l/min

DuElec™ Riser Rail Kit

| | |
|----------|---|
| Length | 1007mm / 40inches |
| Diameter | 20.5mm / 0.81 inches |
| Material | Stainless Steel |
| Finish | Satin Black |
| Hose | 1.5m Anti-twist (main hose) 0.75m (Connector hose) |

IMPORTANT MAINTENANCE NOTICE

Replacing specified Triton accessories for this Danzi DuElec™ unit will aid optimum performance and maintain a valid guarantee



1.5m Anti-Twist Shower Hose
Matte Black
TSHG150BLK



8000 Series Shower Head
Matte Black
TSHE8RCBLK

Contact our specification team

Call: 02476 324 776 | Email: specification@tritonshowers.co.uk | Web: www.tritonshowers.co.uk/specifiers

Danzi DuElec™

Electric Shower



Product Codes

| | |
|--------------------------------------|----------|
| Danzi DuElec™ - 9.5kW - Matte White | GEDADU91 |
| Danzi DuElec™ - 10.5kW - Matte White | GEDADU11 |

Installation

- Inlet connection: 15mm diameter
- Outlet connection: 1/2" BSP male thread

Commissioning

- Simple 2 minute commissioning process

End User

- Choice of showering experience - divert water between a 5 spray pattern shower head and luxurious fixed rainfall shower head, or even use both together
- Easy to use - power buttons
- Start/stop push button
- Separate temperature dial control
- Phased shutdown - Flushes out preheated water after use to help reduce limescale build up
- 5 spray shower head with removable spray plate and 1.5m anti-twist hose
- 0.75m anti-twist diverter connector hose
- Suitable for cold mains only
- 2 years parts and labour guarantee
- Efficient A energy rating



Danzi DuElec™

Electric Shower

Shower

| | |
|-------------------------------|---|
| Temperature stability | Stabilised |
| Power ratings | 9.5kW, 10.5kW (at 240V) |
| Finish | Matte White |
| Controls | Start/stop button, power buttons & temperature control dial |
| Visual indicators | Power-on and selected Power mode indicators |
| Inlet Connection | 15mm male compression |
| Water Entry Points | Right hand side - bottom back, bottom, bottom side |
| Cable Entry Points | Right hand side - top, middle back |
| Outlet Connection | ½" BSP male thread |
| Plumbing System Compatibility | Cold mains only |
| Minimum Running Pressure/Flow | 1 Bar @ 8 l/min |
| Maximum Static Pressure | 10 Bar |
| Surface Mounted Only | |
| Approvals, Complies with | BEAB, CE, BSI Kitemark, IPX4 |
| Guarantee | 2 years |

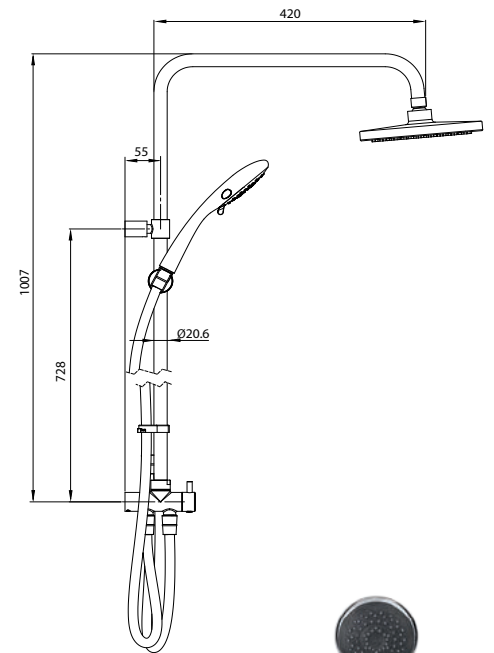
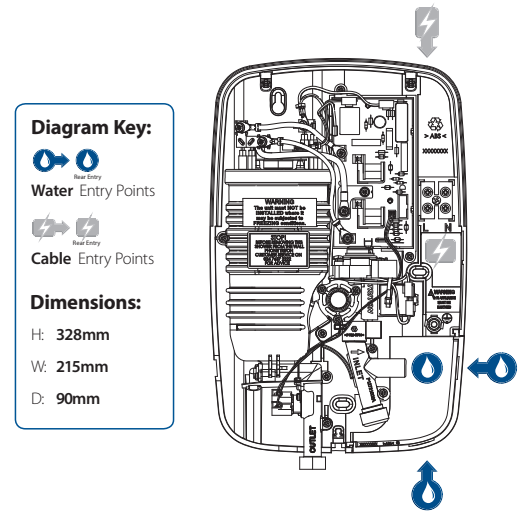
*Recommended minimum running pressure/flow for full performance 1 bar @8l/min

DuElec™ Riser Rail Kit

| | |
|----------|---|
| Length | 1007mm / 40inches |
| Diameter | 20.5mm / 0.81 inches |
| Material | Stainless Steel |
| Finish | Chrome |
| Hose | 1.5m Anti-twist (main hose) 0.75m (Connector hose) |

IMPORTANT MAINTENANCE NOTICE

Replacing specified Triton accessories for this Danzi DuElec™ unit will aid optimum performance and maintain a valid guarantee



Isabel – Circular Fixed Shower Head
Chrome
TSHFISABCH



8000 Series Shower Head
Chrome
TSH8RCCHR



1.5m Anti-Twist Shower Hose
Chrome
REHOSE150C

Contact our specification team

Call: 02476 324 776 | Email: specification@tritonshowers.co.uk | Web: www.tritonshowers.co.uk/specifiers