

1050W **Power Mixer**



For Mixing Cement, Plaster, Grout & Adhesives, Fillers, Paint & More!



TPM1050



Attention!!!

Please, read this instruction manual before use. Improper use of this electric tool can result in personal injury or premature failure of the tool.

Safety Instructions

PRODUCT DESCRIPTION

The machine has been designed to mix liquid and powdery building materials such as paint, mortar, adhesive, plaster and similar substances. The relevant mixing action (which depends on the consistency of the materials and the quantity that has to be mixed) must be set up for the appropriate mixing tool.

This manual must be kept in a safe place so that the information that it contains is always available. This operating manual must accompany the equipment if it transferred to somebody else.

We do not accept any liability for accidents or damage arising from ignoring this manual and the safety instructions.

SAFETY INSTRUCTIONS

When using power tools, you must observe the following basic safety precautions in order to ensure protection from electric shocks, injury and fire. Read and follow all the instructions before using this power tool. Look after the notes on safety.

The machine has been double-insulated in accordance with EN607 45: therefore, an earth wire is not necessary.

USE CORRECT SUPPLY VOLTAGE:

The power supply voltage must match the information quoted against the tools.

Use of an approved RCD circuit breaker between the machine and the electrical power point is highly recommended.

USE PROPER EXTENSION CORD:

Only use an approved extension cable that is suitable for the machines power. When the extension cable is on a reel, unroll the cable in its entirety.

SWITCH OFF THE MACHINE IMMEDIATELY IN CASE OF:

1. Malfunction in the mains plug, power cable or damaging of cable.
2. Broken switch.
3. Smoke or strong smell of burning.

GENERAL SAFETY RULES

WARNING! Read all safety warnings and all instructions. Failure to follow the warnings and instructions may result in electric shock, fire and/or serious injury. Save all warnings and instructions for future reference.

1) Work area safety

- a) Keep work area clean and well lit. Cluttered or dark areas invite accidents.
- b) Do not operate power tools in explosive atmospheres, such as in the presence of flammable liquids, gases or dust. Power tools create sparks which may ignite the dust fumes.
- c) Keep children and bystanders away while operating a power tool. Distractions can cause you to lose control.

2) Electrical Safety

- a) Power tool plugs must match the outlet. Never modify the plug in any way. Do not use any adapter plugs with earthed (grounded) power tools. Unmodified plugs and matching outlets will reduce the risk of electric shock.
- b) Avoid body contact with earthed surfaces, such as pipes, radiators, ranges and refrigerators. There is an increased risk of electrical shock if your body is earthed.
- c) Do not expose power tools to rain or wet conditions. Water entering a power tool will increase the risk of electric shock.
- d) Do not abuse the cord. Never use the cord for carrying, pulling or unplugging the power tool. Keep cord away from heat, oil, sharp edges or moving parts. Damaged or entangled cords increase the risk of electric shock.
- e) When operating a power tool outdoors use an extension cord suitable for outdoor use. Use of a cord suitable for outdoor use reduces the risk of electric shock.
- f) If operating a power tool in a damp location is unavoidable, use a residual current device (RCD) protected supply. Use of an RCD reduces the risk of electric shock.

3) Personal safety

a) Stay alert, watch what you are doing and use common sense when operating a power tool. Do not use a power tool while you are tired or under the influence of drugs, alcohol or medication. A moment of inattention while operating power tools may result in a serious personal injury.

b) Use personal protective equipment. Always wear eye protection. Protective equipment such as dust mask, non-skid safety shoes, hard hat, or hearing protection used for appropriate conditions will reduce personal injuries.

c) Prevent unintentional starting. Ensure the switch is in the off-position before connecting to power source and/or battery pack, picking up or carrying the tool.

Carrying power tools with your finger on the switch or energizing power tools that have the switch on invites accidents.

d) Remove any adjusting key or spanner before turning the power tool on. A spanner or a key left attached to a rotating part of the power tool may result in personal injury.

e) Do not overreach. Keep proper footing and balance at all times. This enables better control of the power tool in unexpected situations.

f) Dress properly. Do not wear loose clothing or jewellery. Keep your hair, clothing and gloves away from moving parts. Loose clothes, jewellery or long hair can be caught in moving parts.

g) If devices are provided for the connection of dust extraction and collection facilities, ensure these are connected and properly used. Use of dust collection can reduce dust related hazards.

4) Power tool use and care

a) Do not force the power tool. Use the correct power tool for your application. The correct power tool will do the job better and safer at the rate for which it was designed.

b) Do not use the power tool if the switch does not turn it on and off. Any power tool that cannot be controlled with the switch is dangerous and must be repaired.

c) Disconnect the plug from the power source and/or the battery pack from the tool before making any adjustments, changing accessories, or storing power tools. Such preventative safety measures reduce the risk of starting the power tool accidentally.

d) Store idle power tools out of the reach of children and do not allow persons unfamiliar with the power tool or these instructions to operate the power tool. Power tools are dangerous in the hands of untrained users.

e) Maintain power tools. Check for misalignment or binding of moving parts, breakage of parts and any other condition that may affect the power tool's operation. If damaged, have the power tool repaired before use. Many accidents are caused by poorly maintained power tools.

f) Keeping cutting tools sharp and clean. Properly maintained cutting tools with sharp cutting edges are less likely to bind and are easier to control.

g) Use the power tool, accessories and tool bits etc. in accordance with these instructions, taking into account the working conditions and the work to be performed. Use of the power tool for operations different from those intended could result in hazardous situation.

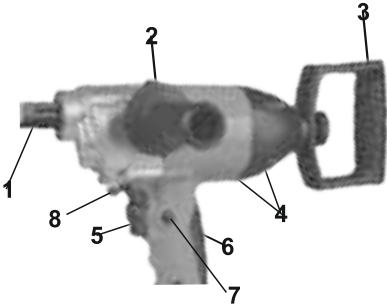
5) Service

a) Have your power tool serviced by a qualified repair person using only identical replacement parts. This will ensure that the safety of the power tool is maintained.

PRECAUTIONS ON USING MIXER

- The equipment must never be used in surroundings where an explosive atmosphere exists. Never mix in solvents or substances containing solvents that have flash points below 21°C.
- Do not let the cable touch any parts of your body.
- Only use the extension cable approved for use in the working area.
- The unit must only be started and stopped when it is inside a mixing vessel. Ensure that the mixing vessel is placed on a solid, secure base.
- Never reach into the mixing vessel with your hands or any other object during the mixing process.
- We recommend that you always wear industrial safety gloves and safety goggles when working with the mixer.
- Wearing close fitting clothes is mandatory.
- Always allow for reaction torque.
- Always wear a dust mask.

Description



Mixer in aluminium case

1. Thread size: M14
2. Additional Handle
3. Additional rear handle
4. Possibility of quick replacement of brushes
5. ON/OFF button
6. Network cable with plug
7. Lock on switch
8. Spindle rotation direction change

HOW TO USE THE MIXER

Before setting up, repair or maintenance of the appliance you must always turn off the operating switch and pull out the mains plug!

Before Initial Operation

- Check if the rated frequency of the mains supply corresponds to the product specification.
- Before using the tool, read the instruction book carefully.

Paddle Assembly

The paddle comes in 2 parts, screw the 2 parts together, and then screw the assembled paddle into the output shaft. Use a spanner to hold the output shaft in place, then using a second spanner tighten up the mixer paddle. Proceed in the reverse sequence to undo the mixer.

Additional handle (2)

The additional handle can be installed in 3 positions left side, right side or on top of the mixer. The handle is installed on the mixer and is fixed by rotating it clockwise.

Additional rear handle (3)

The rear D handle is convenient when using the mixer in a vertical position, it is screwed on to the rear flank part and rotates 360°.

Starting the machine

ON/OFF button

Press the button (5). When mixing, the drill can be locked on using the lock on switch (7)

Rotation frequency adjustment (5)

Rotation frequency adjustment is performed with the help of a special roller on the starting trigger. The speed directly depends on the position of the trigger in relation to the drill case. It is recommended to carry out frequency adjustment prior to beginning of operation. Rotation frequency should not be changed in the process of work (by pushing the start button) as such operation may result in the tool breakdown.

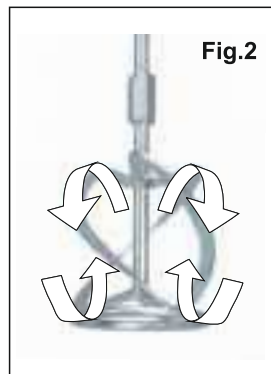
Spindle rotation direction change (8)

Spindle rotation directions are changed with a flag switch located above the starting trigger. Rotation direction should not be switched during operation as this may result in the tool breakdown and invalidate the warranty repairs.

USING THE MIXER

The Tile Rite Power Mixer is suitable for mixing cementitious mortars and has a head designed to perform a movement from the bottom up. With mortar mixer paddles, the material rises, at a low speed, up the inside of the paddle head and then back down the outside. This action produces a highly viscous homogeneous mixing of materials such as mortars, cements and especially improved cementitious adhesives (type C2) for ceramic tiles. This head design allows the user to work with less effort and greater mobility.

The 3 blade propeller head for greater efficiency of mixing (Fig. 2). This design increases the performance by 15% with respect to the 2 blade propeller head, in addition, during mixing, the power for the electric mixer is reduced, achieving greater durability for the electric tool. The 3-blade head generates fewer vibrations; therefore, the user is able to work in greater comfort. The head has a ring in the lower part for preserving the tank bottom.



Mixing process:

Attach the appropriate M14 mixing paddle for your application to the mixer.

Mixing Materials with low viscosity (varnishes, paints, liquids glues)

1. Pour the material to be mixed into a bucket.
2. With electronic regulating device set minimum rotations on the mixer.
3. Put the mixer on the bucket bottom.
4. Smoothly push the switch, the mixer will start rotating slowly and mixing the material.
5. If required (to speed up the mixing process), increase the number of rotations of the motor. If the material starts to splash, it is necessary to reduce the number of rotations,
Note: working number of rotations of the motor during mixing for different types of materials are found out experimentally.

Mixing materials with high viscosity (ready mortar, plaster, concrete, lime)

1. Prior to pouring the material to be mixed, it is necessary to first pour some water into the bucket, otherwise the solution may stick to the bucket bottom.
2. With the electronic regulating device set minimum rotations on the mixer.
3. Put some material to be mixed into the bucket with water.
4. Put the mixer on the bucket bottom.
5. Smoothly push the switch, the mixer will start rotating slowly and mixing the material.
6. When achieved the uniform consistency by mixing, add material gradually.
7. Increase the number of rotations of the mixer prorate to viscosity increase.
Note: prior mixing read manufacturing plant recommendation on preparing of solutions and mixtures from materials with high viscosity.

SPECIFICATIONS	
Product Code:	TPM1050
Power Supply:	230V 50Hz
Motor:	1050W
RPM (no load):	0-550 rpm
No of gears:	1
Mixing Paddle Diameter	120mm
Length:	590mm

Tile Rite 1050w Power Mixer has been manufactured to a high standard. It is guaranteed against faulty materials and workmanship for 12 months from the date of purchase. Any claim must be accompanied by a valid till receipt as proof of purchase. A faulty machine will either be repaired or replaced free of charge. If a direct replacement is not available, an alternative to the same or greater value/specification will be offered. This guarantee does not cover machine defects caused by or resulting from:

- a. Misuse, abuse or neglect.
- b. Trade, professional or hire use.
- c. Repairs attempted by anyone other than our authorised repair agent.
- d. Ingress of foreign objects, substances or accident.

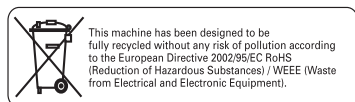
In the unlikely event of a fault occurring, contact should be made through the Tile Rite Technical Helpline +44 (0)1253 789180.

The above guarantee is only valid within the UK and does not affect your statutory rights.

The guarantor is Tile Accessories Ltd., Unit 2, Phoenix Road, Hawks Green, Cannock, Staffordshire, WS11 7LR.

Consumer Advice

- Do not dispose of electrical products with your normal household waste.
- Always use recycling facilities whenever possible.
- Additional recycling information can be found through your local Authority or Retailer.



- For further information or advice, please call the QEP Technical Helpline on +44 (0) 1253 789 180.

PARTS LIST

NO.	Description	NO.	Description
1	screwST3.9X50	25	bearing 608
2	gear box	26	bearing block
3	spindle	27	break wind ring
4	key 4x10	28	stator
5	bearing 6002	29	carbon brush cover
6	circlip32	30	carbon brush
7	circlip15	31	carbon brush inserts
8	big gear	32	brush holder
9	circlip12	33	nut fixed seat
10	needle bearingHK1010	34	nut M8
11	pin 4h8x8	35	Rear cover
12	gasket	36	screw ST3.9X16
13	middle cover	37	rear handle
14	side handle	38	lock knob
15	bolt M10X35	39	housing
16	needle bearingHK0810	40	Cable sheath
17	circlip10	41	plug
18	first driven wheel	42	Cable pressboard
19	woodruff key 3x10	43	screw ST3.9X12
20	second driven gear	44	switch
21	second driven wheel	45	screw ST3.9X14
22	third driven gear	46	handle cover
23	bearing 6000	47	screw ST3.9X55
24	rotor	48	Capacitor



WARNING

When servicing, use only identical replacement parts. Use of any other parts may create a HAZARD or cause damage to your power tool. Any attempt to repair or replace electrical parts on this power tool may create a hazard unless repair is performed by a qualified technician.

PARTS DIAGRAM

